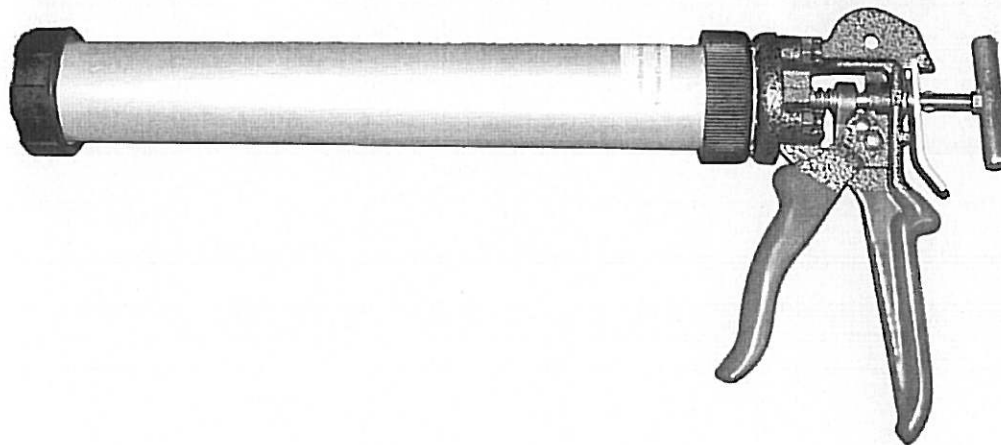


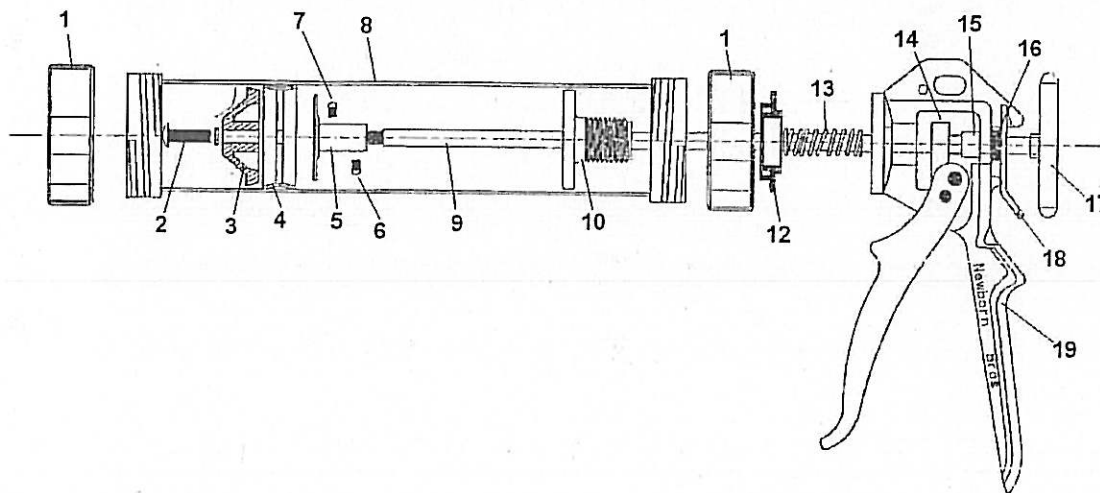
MODELS 924AL

FEATURES / INSTRUCTIONS

SAUSAGE • BULK • CARTRIDGE LOADERS



- Fully equipped to be used for sausage packs, bulk and cartridges with no other parts or kits needed.
- High thrust of 26:1.
- Hammered-finished trigger with rubber comfort grip
- Patented ETG (Effective Trigger Grip) allows NO slack & prolongs the trigger action.
- Conical ejector to extrude more material than standard flat push plates.
- Expanding hytrel cup to increase suction for quick change to bulk loader.
- Designed to fit your existing nozzles and accessories to maximize your prior investment.
- Loaded with many time and money saving features without extra charge.
- Replacement parts available for easy repair.



- | | |
|---------------------------------------|------------------------------|
| 1. Front Cap/Back Cap (same part) | 10. Barrel Screw |
| 2. Center Bolt | 12. Plastic Washer |
| 3. Conical Ejector | 13. Spring |
| 4. Hytrel Cup (expands) | 14. Friction Plate |
| 5. Push Plate | 15. ETG |
| 6. Lock/set screw for rod | 16. Spring for thumb release |
| 7. Lock/set screw for conical ejector | 17. "T" bar |
| 8. Barrel | 18. Thumb release |
| 9. Push Rod | 19. Handle with rubber grip |

LOADING INSTRUCTIONS

To Use with Sausage Pack:

1. Press on the thumb release tab and pull the piston rod all the way backward.
Note: If the rod is difficult to pull back, you may need to loosen the center bolt on the conical ejector inside the barrel. First, remove the barrel from the back cap to expose the rod and piston setup (conical ejector, hytrel cup, push plate). Loosen the lock/set screw for the conical ejector, then loosen the center bolt about 2 turns. Tighten the lock/set screw. Thread the barrel back onto the back cap.
2. Remove the front cap.
3. Insert an unopened sausage pack in the barrel.
4. Cut open your sausage pack at the open end of the barrel.
5. Insert a cone into the front cap then thread the front cap/cone onto the end of the barrel.

To Use as a Bulk loader:

Unlike other guns on the market, change from sausage to bulk takes a few seconds with the Newborn 924AL. Simply tighten the center bolt on the conical ejector by reversing the directions listed in the Note under #1 above. The hytrel cup will expand, pushing on the inside of the barrel, thus increasing the suction for bulk. *(To return to a sausage loader, simply loosen the center bolt).*

If you are using a follow plate: Remove the front cap and wet the end of the bulk loader with water or a release agent. Also spray or put water into the gun chamber to lubricate the interior. Attach the bulk loader to the follow plate (Newborn Model FPT-05 or FPT-02), lock the thumb release and pull the load slowly until the gun is full. Newborn's neoprene follow plates use the air tight "O" ring. There is no need to screw barrel into follow plate to lock.

If you are not using a follow plate: Place the end of the loader into the material about 2-3 inches and pull back the rod to bring the material into the gun. Scrape the material off of the gun to make sure the gun is clean.

Clean Up: At the end of your job, put remaining caulk back into the pail and seal it. Place the gun into a pail of water with the front cap removed and pull the rod back and forth. Continue doing this until the gun is clean. Spray a light lubricant (like WD40) into the gun chamber both in front of and behind the piston packing. Leave gun open until it is dry and wipe the exterior of the gun with light oil.

To Use with Cartridge:

1. Remove the barrel from the back cap.
2. Loosen the lock/set screw on the push plate then completely unscrew the center bolt on the conical ejector to remove the conical ejector and hytrel cup.
3. Thread the barrel onto the back cap.
4. Press on the thumb release tab and pull the piston rod all the way backward.
5. Remove the front cap and load a 10 oz cartridge into the barrel.
6. Screw on front cap.
7. Cut cartridge nozzle to desired opening (angle/size) and puncture the seal inside.
8. Squeeze the trigger until the push plate engages the cartridge, then extrude as normal.